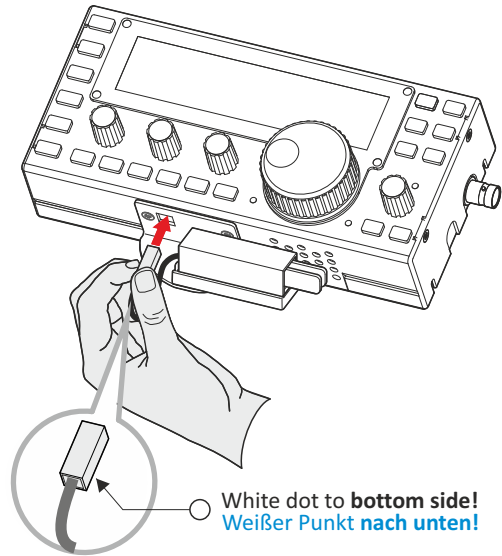
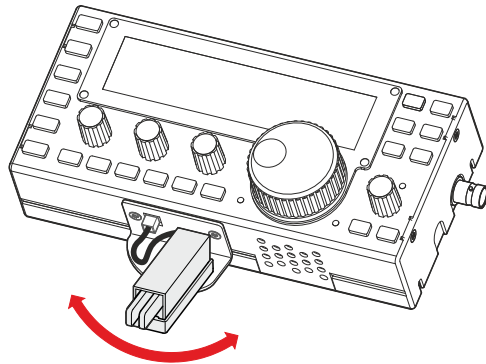


5. Plug connector into front jack (Key 2)  
Stecker in vordere Buchse (Key 2) stecken

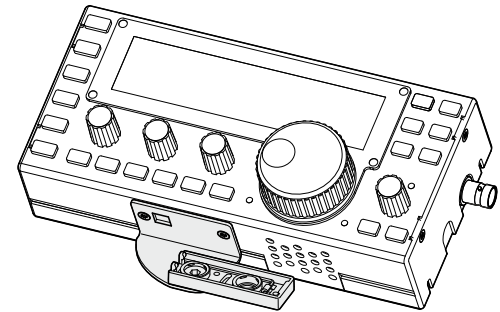


6. Adjusting operating position  
Arbeitsposition einstellen



# MK-KX3

Mounting Kit for Pico Paddle  
to Elecraft KX-3



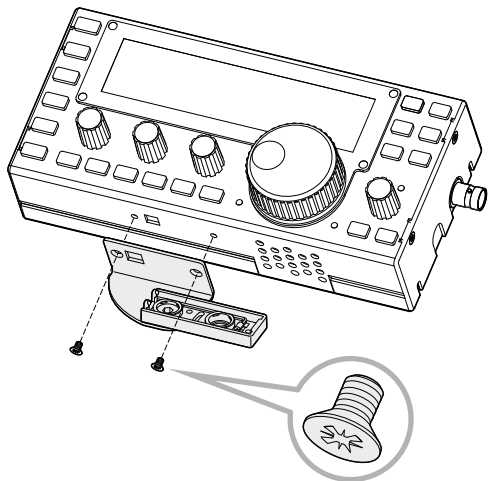
Other names and brands may be claimed  
as the property of others.

order: [info@palm-radio.de](mailto:info@palm-radio.de) <http://www.palm-radio.de>

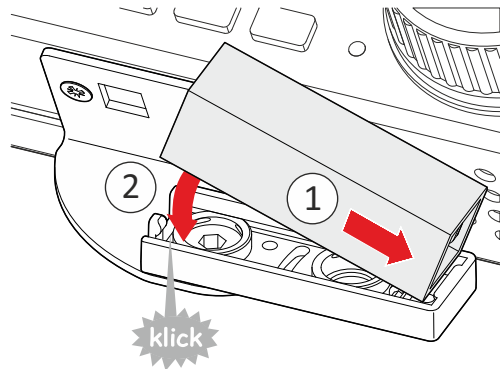
 Palm Radio

Made in Germany

1. Screw angle bracket onto KX3  
Haltewinkel an KX3 anschrauben



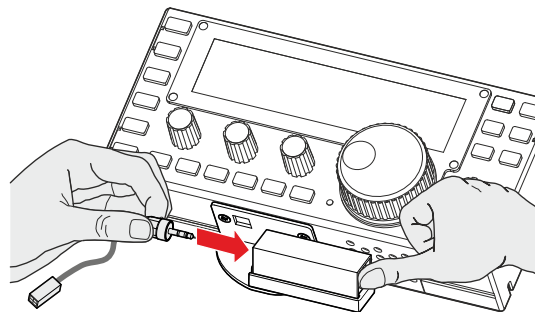
2. Insert Pico Paddle into the QuickMount  
Pico Paddle in QuickMount einsetzen



1. Insert Pico Paddle under front edge of QuickMount  
Pico Paddle vorne unter die Rastnase einschieben

2. Push rear of Pico Paddle housing down until it snaps under tabs at rear of housing  
Pico Paddle Gehäuse hinten fest nach unten drücken, bis es einrastet

3. Plug in stereo phone plug  
Klinkenstecker einstecken



4. Push paddle to operating position  
Paddle in Arbeitsstellung schieben

